



Multistage Centrifugal Exhauster 761 Series

Hoffman and Lamson present state-of-the-art technology in Multistage Centrifugal exhauster. This model offers a wide range of design features and incorporates energy efficiency improvements, complying with the strictest operational requirements of a variety of applications. Multistage blowers are ideally suited for operations where a variable flow at constant vacuum is required. Hoffman and Lamson are worldwide leaders in Multistage Centrifugal Blower technology with thousands of units installed around the globe.

Technical Data

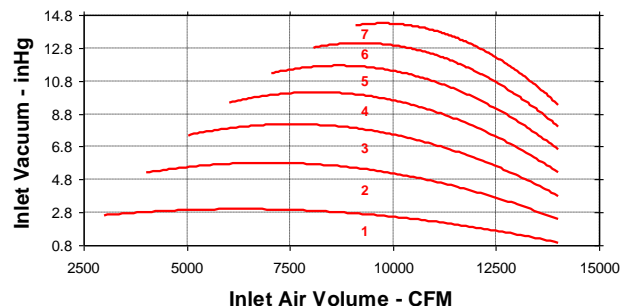
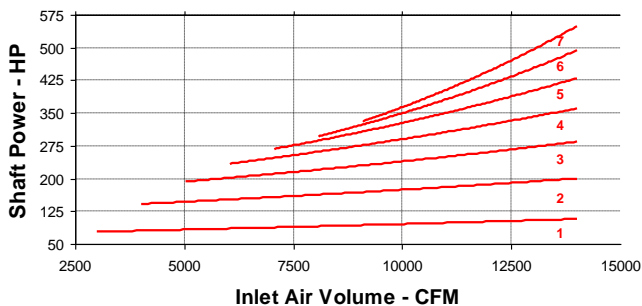
- Number of Stages: 1-7 (60 Hz & 50 Hz)
- Inlet Connection: 14" Flange, ANSI 125# Drilling
- Outlet Connection: 14" Flange, ANSI 125# Drilling
- Operating Speed: 3550 RPM (60 Hz), 2960 RPM (50 Hz)
- Casing Pressure: 25 PSIG (1.73 bar)
- Air Seals: Labyrinth Type - Carbon Ring Optional
- Bearings: Anti-friction, designed for extended L10 life
- Lubrication: AEON® CF Oil
- Impeller: 26.0 inches (660 millimeters) Diameter (statically balanced)
- Impeller Tip: Speed 403 feet/second (122 meters/second)
- Drive: Type Direct Coupled (Inlet drive is standard)
- Drive Shaft: 2.625 inches (66.80 millimeters) Diameter
- Vibration: .235 in/sec. (5.97 mm/sec.) Peak Velocity
- Rotor: Balanced Per ISO 1940, ANSI S2.19

Material Standard

- Casing: ASTM A48 Class 30 Cast Iron - HT200 equivalent
- Bearing Housings: ASTM A48 Class 30 Gray Cast Iron
- Bearing Cap: ASTM A48 Class 30 Gray Cast Iron
- Tie Rods: ASTM F1554 GR.36 Zinc Plated Thrd. Rod
- Labyrinth Seal: ASTM B86 Z35631 Alloy Zinc Aluminum 12
- Carbon Ring Seal Optional: ASTM C695 Fine Grain Molded Graphite
- Joint Sealing: RTV Silicone Compound
- Baffle Rings: ASTM A240 Grade 304 Stainless Steel
- Balance Piston: ASTM A356-T5 Cast Aluminum (5-7 Stage)
- Shaft: ASTM A108 Grade 1045 HRS Stainless Steel Optional
- Impeller: ASTM SC64C Sr-319 Cast Aluminum or ASTM 6061-T6 Fabricated Aluminum
- Blower Base: ASTM A36 Hot Rolled Structural Steel
- Motor Pedestal: ASTM A36 Hot Rolled Structural Steel
- Isolation Base Pads: Suitable Resilient Material
- Finish: Universal Primer - Acrylic Topcoat

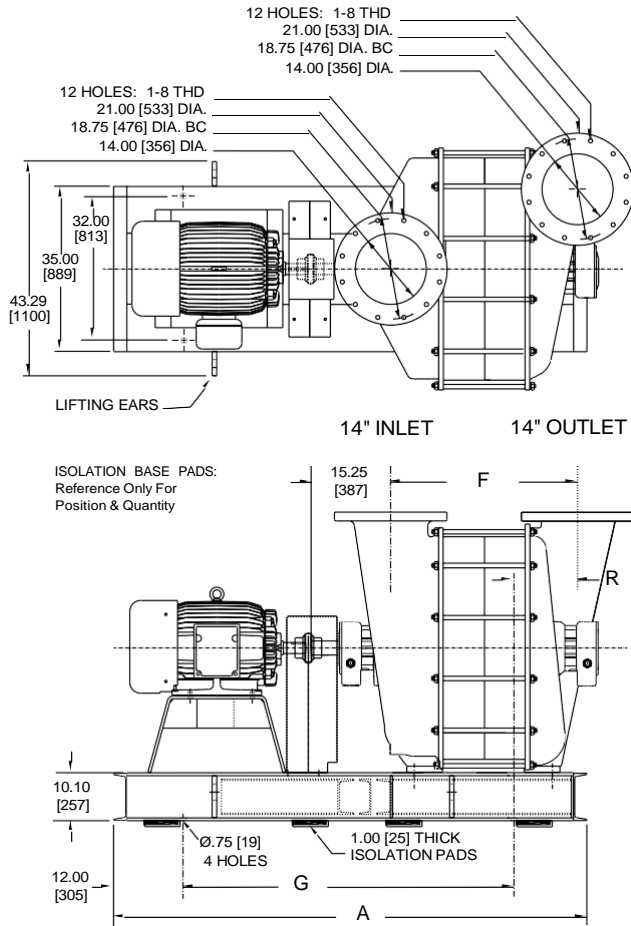
VACUUM PERFORMANCE

29.9 inHg [1 Bar], 68°F [20°C],
36% RH, Speed: 3550 RPM

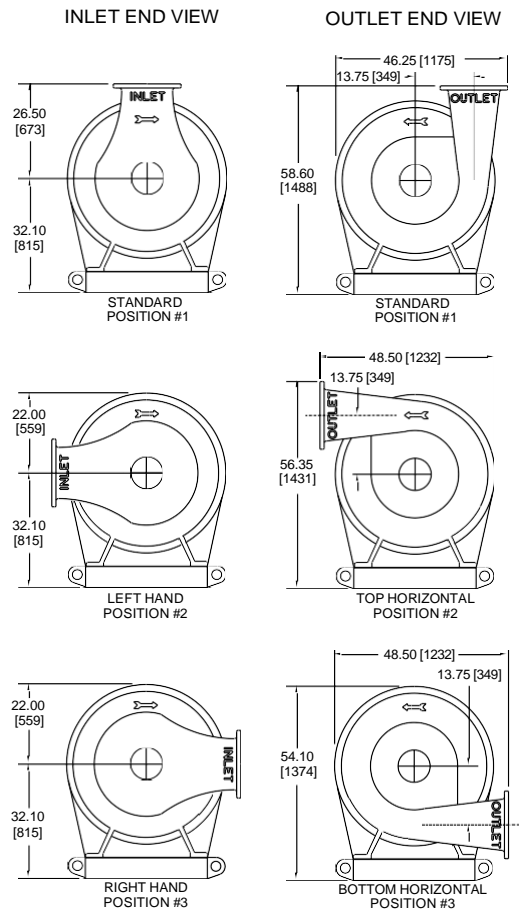


STANDARD CONDITIONS: 14.7 PSIA [1 Bar], 68°F [20°C], 36% RH, Speed: 3550 RPM

General Arrangement



Flange Orientation



Dimensional Data - inches [millimeters]

FRAME	A	F	G	R
76101	84.00 [2134]	22.00 [559]	60.00 [1524]	10.50 [267]
76102	84.00 [2134]	29.88 [759]	60.00 [1524]	10.50 [267]
76103	96.00 [2438]	37.75 [959]	72.00 [1829]	10.50 [267]
76104	108.00 [2743]	45.63 [1159]	84.00 [2134]	10.50 [267]
76105	114.00 [2896]	53.50 [1359]	90.00 [2286]	10.50 [267]
76106	126.00 [3200]	61.38 [1559]	102.00 [2591]	10.50 [267]
76107	132.00 [3353]	69.25 [1759]	108.00 [2743]	10.50 [267]

Weight – lb [kg] & Inertia – lb-ft² [kg-m²]

FRAME	PKG. LESS MOTOR	BARE UNIT	WK2
76101	4000 [1814]	2500 [1134]	14 [.59]
76102	4600 [2087]	3100 [1406]	27 [1.14]
76103	5400 [2449]	3700 [1678]	40 [1.69]
76104	6000 [2722]	4300 [1950]	54 [2.29]
76105	6600 [2994]	4900 [2223]	70 [2.96]
76106	7200 [3266]	5500 [2495]	84 [3.55]
76107	8200 [3719]	6200 [2812]	61 [2.59]*

Product Notes

- Information is approximate, subject to change without notice, and not for construction use unless certified
- Position #1 is standard inlet & outlet orientation
- A and G dimensions may vary depending on motor frame size
* Based on cast impellers except 76107 (fabricated impellers)
- Performances noted are typical and not job specific
- Consult authorized sales representative for job specific blower or exhauster performance sizing
- Factory ASME PTC-10 test offered for performance verification
- For components that exceed 4,000 lb., machined pads are used. Height of the components on the base frame increase by 0.88 inches due to the use of machined pads

