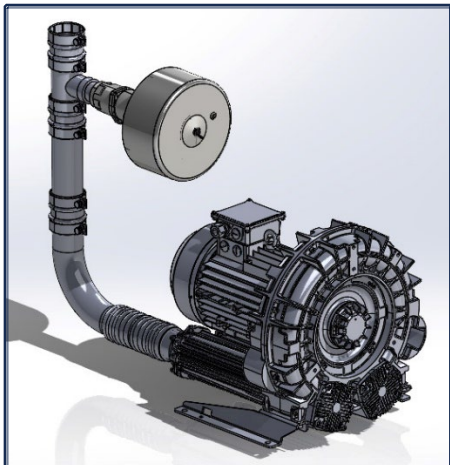




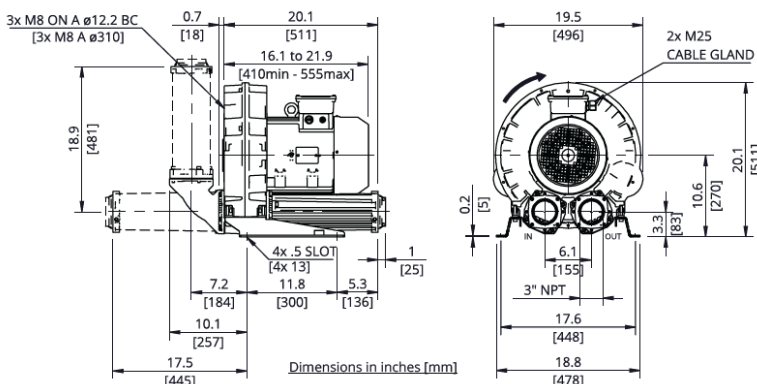
LL08-MS-15 VACUUM PACKAGE

L Series Regenerative Vacuum



Model L08-MS Standard Features

- Premium Efficient Motor
- High efficiency impeller
- Mount in any position
- Maintenance free operation
- TEFC (IP55) Motor



Technical Specifications

Model No.	HP	Hz	Open Flow (cfm)	Max Vacuum in. H ₂ O	Efficiency	Voltage	FLA	Starting Current Ratio ¹	dB(A) ²	Weight (lb)
L 08-MS-5.5-3	5.5	60	394	40	88.5%	208-230/460	14.6-15.1/7.55	11.1	76.8	143.3
		50	331	70	88.1%	200/400	17.7/8.86		72.1	
L 08-MS-7.5-3	7.5	60	394	80	89.5%	208-230/460	19.8-19.5/9.75	13.7	76.8	167.6
		50	331	110	89.2%	200/400	22.2/11.1		72.1	
L 08-MS-10-3	10	60	394	110	90.2%	208-230/460	26.1-25/12.5	13	76.8	194.0
		50	331	120	90.1%	200/400	28.6/14.3		72.1	
L 08-MS-15-3	15	60	394	130	91.0%	208-230/460	38.2-37.3/18.7	12.5	76.8	207.3
		50	331	120	91.0%	200/400	43.4 / 21.7		72.1	

Motors include normally closed thermal protector, 1.15 S.F. (60 Hz), tropicalized windings, Class F (B) insulation, and are suitable for use with a VFD (Contact Legends for pneumatic and speed limits when used with a VFD).

¹Starting current ratio x fla = starting current

²Noise level measured at a distance of 1 m with inlet and outlet ports piped in accordance to ISO 3744

Data is subject to change without notice.

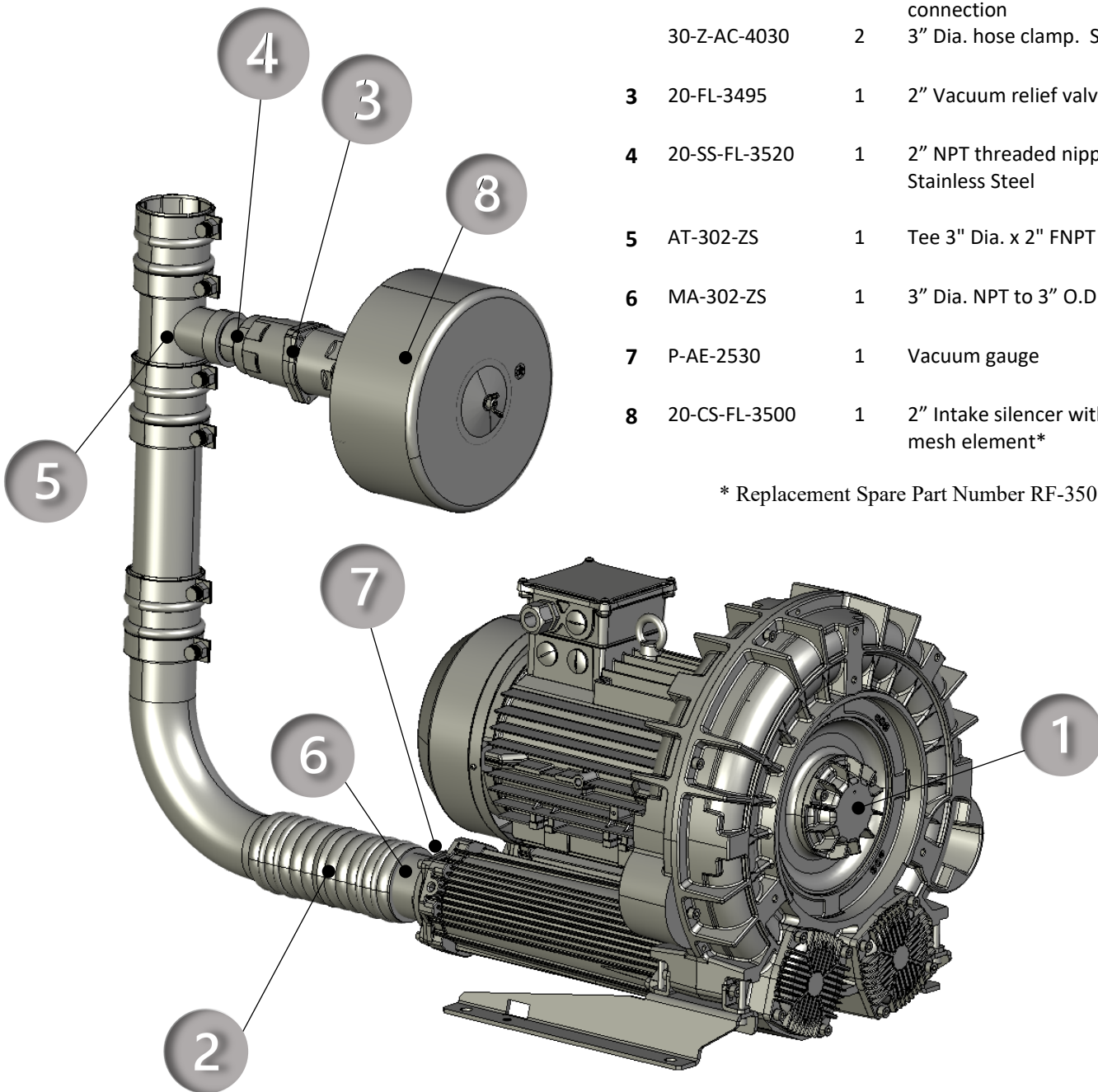




STANDARD PACKAGE COMPONENTS

	PART #	QTY	DESCRIPTION
1	L08-MS-15	1	15 Horsepower Regenerative vacuum unit. 230/460/3/60 TEFC
2	30-HO-4111	1	3" Dia. x 8" long flex connection
	30-Z-AC-4030	2	3" Dia. hose clamp. Spiral power
3	20-FL-3495	1	2" Vacuum relief valve
4	20-SS-FL-3520	1	2" NPT threaded nipple, 304 Stainless Steel
5	AT-302-ZS	1	Tee 3" Dia. x 2" FNPT
6	MA-302-ZS	1	3" Dia. NPT to 3" O.D. adapter
7	P-AE-2530	1	Vacuum gauge
8	20-CS-FL-3500	1	2" Intake silencer with wire mesh element*

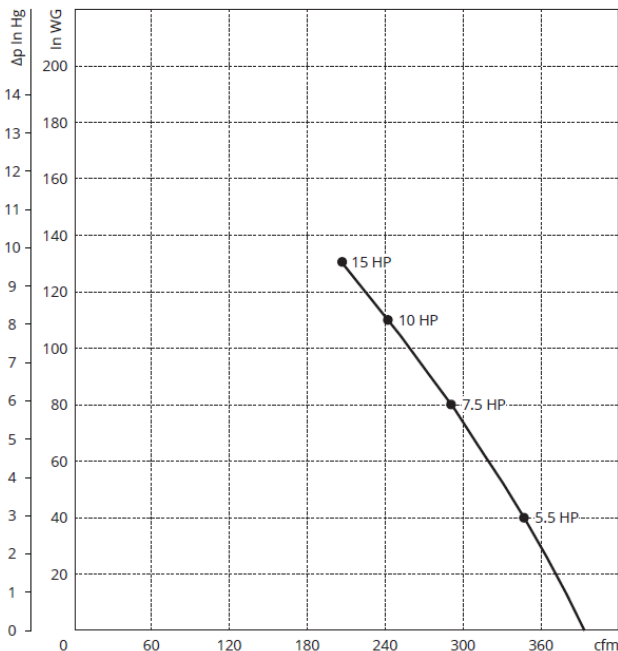
* Replacement Spare Part Number RF-3501



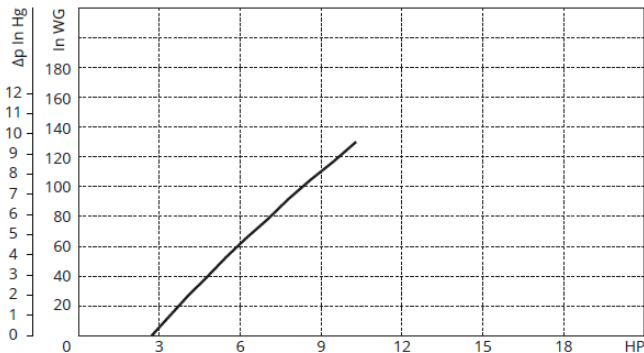


L-08-MS VACUUM
PERFORMANCE

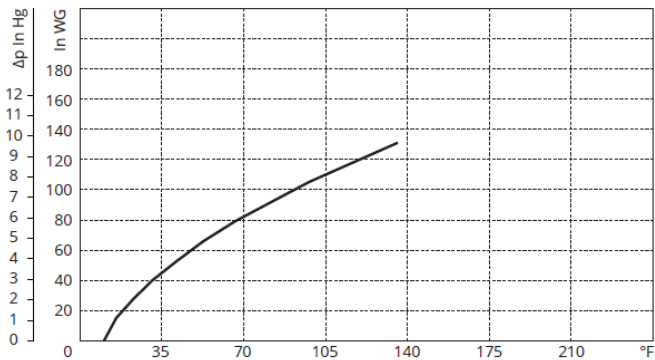
CAPACITY



ABSORBED POWER



TEMP INCREASE



Curves refer to air at 68°F temperature and 29.92 In Hg atmospheric pressure (abs) measured at inlet port. Values for flow, power consumption and temperature rise: +/-10% tolerance. Data subject to change without notice.