



# LL09-MS-15 VACUUM PACKAGE

L Series Regenerative Vacuum



## Model L09-MS

### Standard Features

- Premium Efficient Motor
- High efficiency impeller
- Mount in any position
- Maintenance free operation
- TEFC (IP55) Motor



## Technical Specifications

Model No.	HP	Hz	Open Flow (cfm)	Max Vacuum in. Hg	Voltage	dB(A) <sup>2</sup>	Weight (lb)
LL09-MS-15-3	15	60	471	9.6	208-230/460	80.1	212
		50	390	10.4	200/400	78	

Motors include normally closed thermal protector, 1.15 S.F. (60 Hz), tropicalized windings, Class F (B) insulation, and are suitable for use with a VFD (Contact Legends for pneumatic and speed limits when used with a VFD).

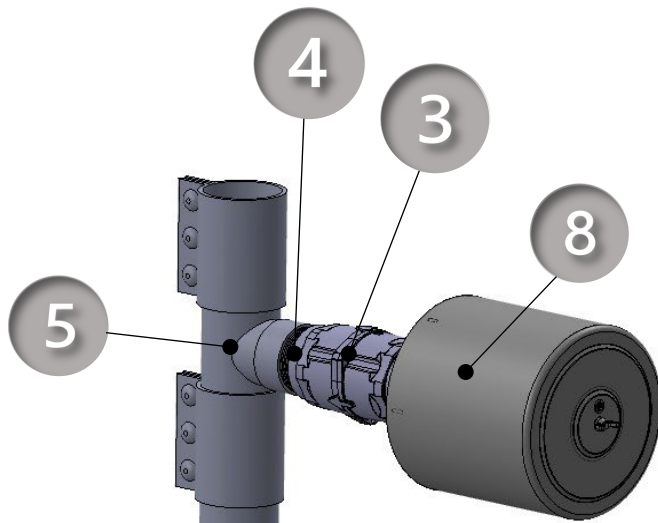
<sup>1</sup>Starting current ratio x fla = starting current

<sup>2</sup>Noise level measured at a distance of 1 m with inlet and outlet ports piped in accordance to ISO 3744

Data is subject to change without notice.

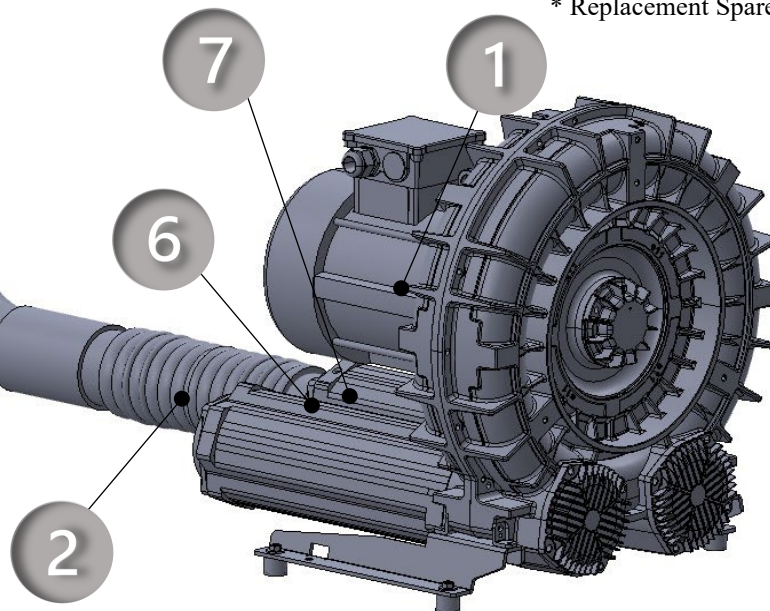


## STANDARD PACKAGE COMPONENTS



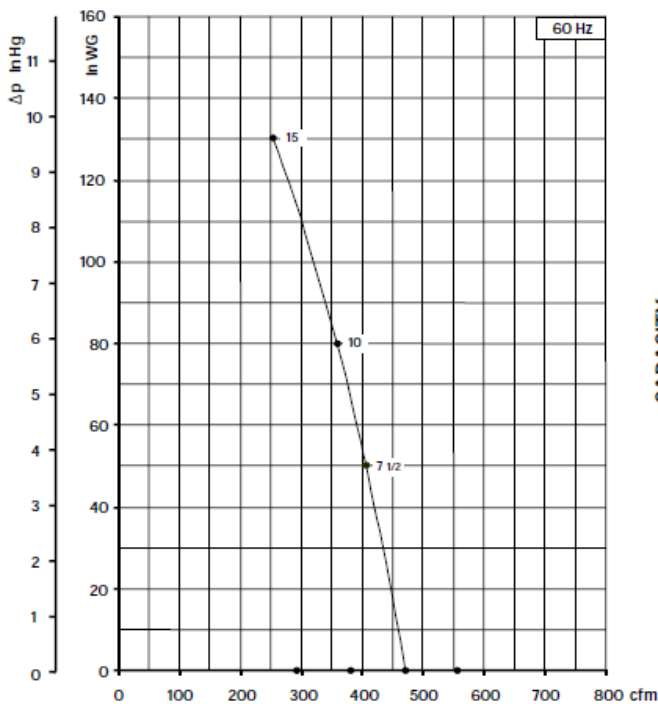
	PART #	QTY	DESCRIPTION
1	L09-MS-15	1	15 Horsepower Regenerative vacuum unit. 230/460/3/60 TEFC
2	40-RB-FL-3540	1	4" Dia. x 8" long flex connection
	40-Z-AC-4040	2	4" Dia. hose clamp. Spiral power clamp
3	30-FL-3497	1	3" Vacuum relief valve
4	30-SS-FL-3530	1	3" NPT threaded nipple, 304 Stainless Steel
5	94456	1	Tee 4" Dia. x 3" FNPT
6	MA-402-ZS	1	4" Dia. NPT to 4" O.D. adapter
7	P-AE-2530	1	Vacuum gauge
8	30-CS-FL-3503	1	3" Intake silencer with wire mesh element*

\* Replacement Spare Part Number 30-RF-FL-3603

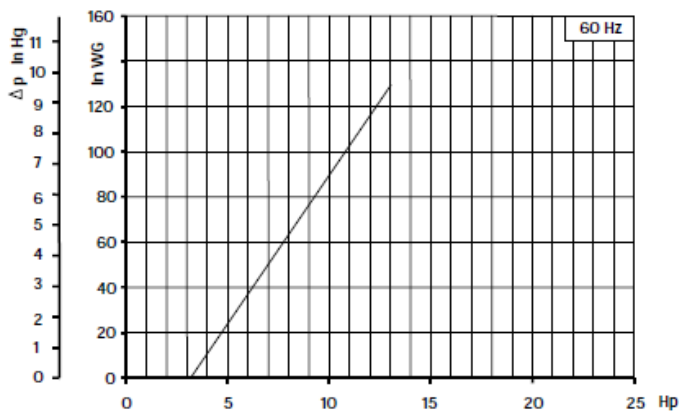




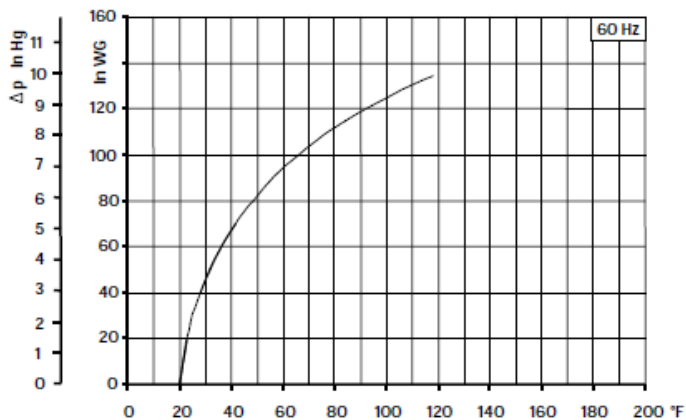
L-09-MS VACUUM  
PERFORMANCE



CAPACITY



ABSORBED POWER



TEMPERATURE INCREASE

Curves refer to air at 68°F temperature and 29.92 In Hg atmospheric pressure (abs) measured at inlet port. Values for flow, power consumption and temperature rise: +/-10% tolerance.

Data subject to change without notice.