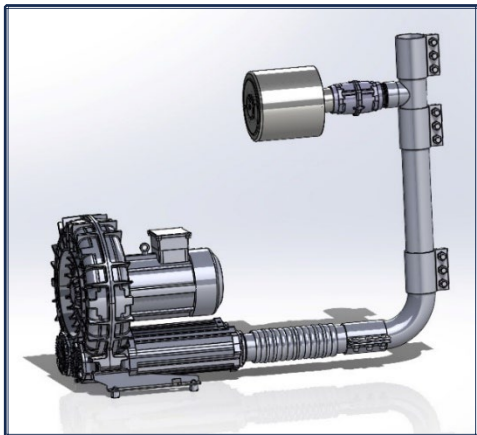




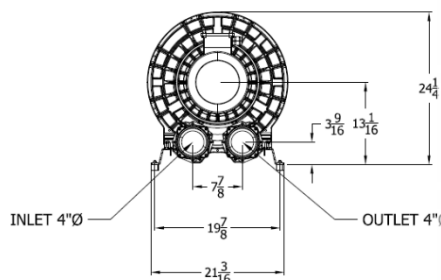
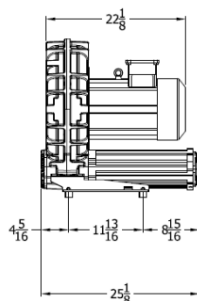
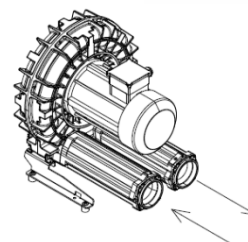
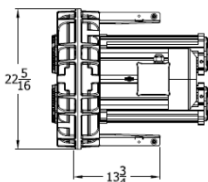
# LL11-MS-20 VACUUM PACKAGE

## L Series Regenerative Vacuum



### Model L11-MS Standard Features

- Premium Efficient Motor
- High efficiency impeller
- Mount in any position
- Maintenance free operation
- TEFC (IP55) Motor



### Technical Specifications

Model No.	HP	Hz	Open Flow (cfm)	Max Vacuum in. H <sub>2</sub> O	Efficiency	Voltage	FLA	Starting Current Ratio <sup>1</sup>	dB(A) <sup>2</sup>	Weight (lb)
<b>L11-MS-15-3</b>	15	60	639	90	91.0%	208-230/460	38.2-37.3/18.7	12.5	83	248.0
		50	553	120	91.0%	200/400	43.4/21.7		78	
<b>L11-MS-20-3</b>	20	60	639	150	91.7%	208-230/460	47.0 / 23.5	9.7	83	273.4
		50	553	140	91.9%	200/400	52.4 / 26.2		78	
<b>L11-MS-25-3</b>	25	60	639	-	91.7%	208-230/460	62 / 31	12.5	83	352.7
		50	553	-	92.4%	200/400	69 / 34.5		78	

Motors include normally closed thermal protector, 1.15 S.F. (60 Hz), tropicalized windings, Class F (B) insulation, and are suitable for use with a VFD (Contact Legends for pneumatic and speed limits when used with a VFD).

<sup>1</sup>Starting current ratio x fla = starting current

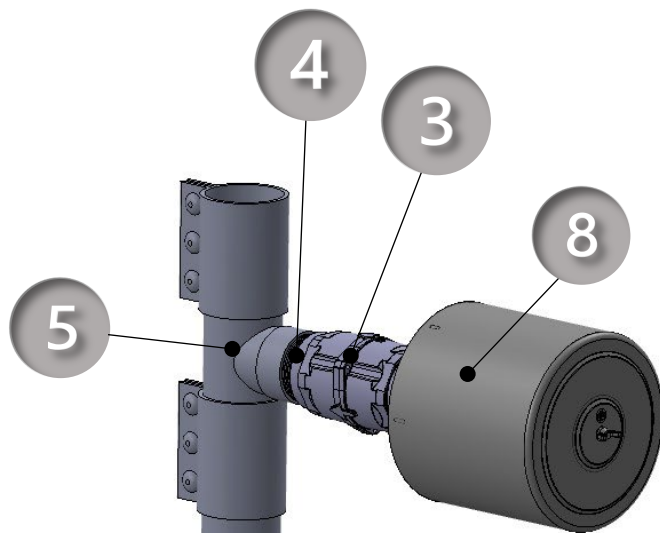
<sup>2</sup>Noise level measured at a distance of 1 m with inlet and outlet ports piped in accordance to ISO 3744

Data is subject to change without notice.



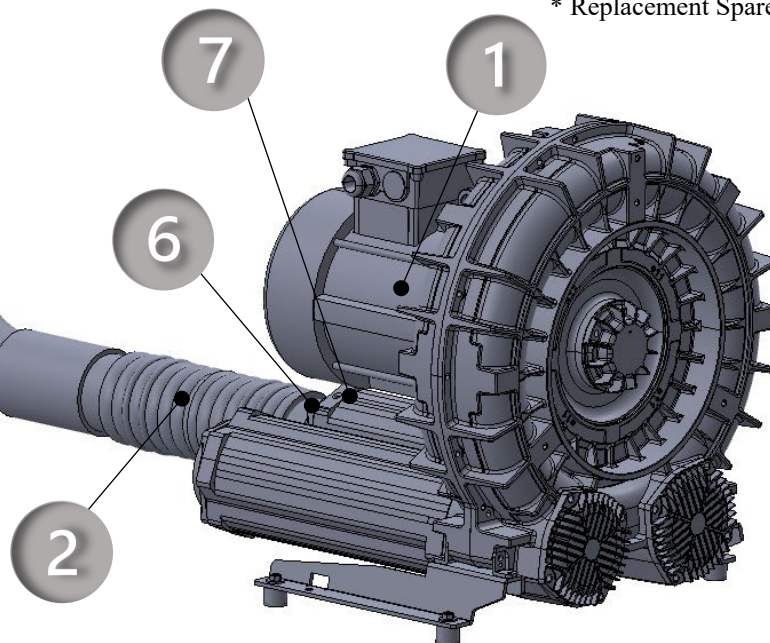


## STANDARD PACKAGE COMPONENTS



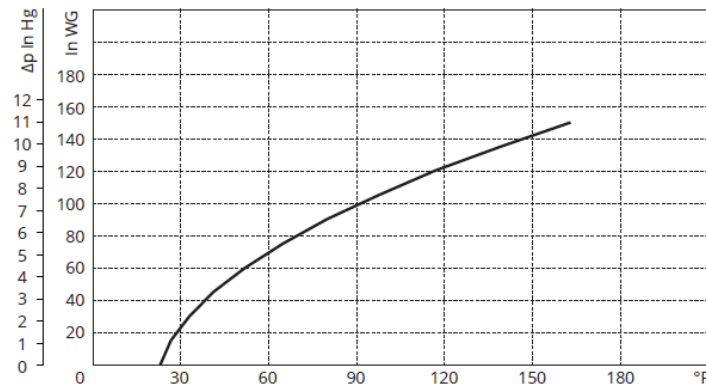
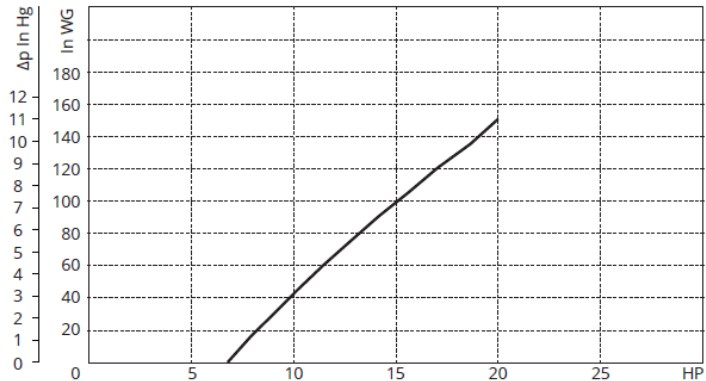
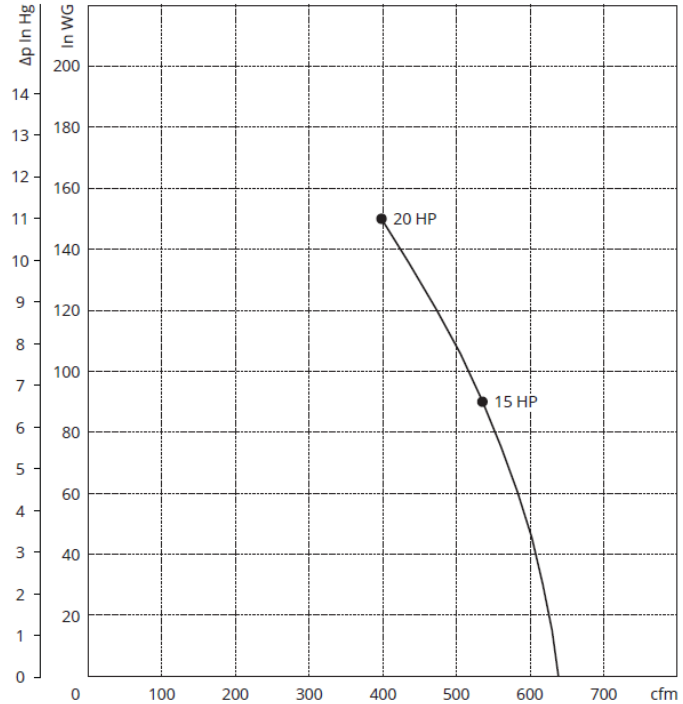
	<b>PART #</b>	<b>QTY</b>	<b>DESCRIPTION</b>
1	L11-MS-20	1	20 Horsepower Regenerative vacuum unit. 230/460/3/60 TEFC
2	40-RB-FL-3540	1	4" Dia. x 8" long flex connection
	40-Z-AC-4040	2	4" Dia. hose clamp. Spiral power clamp
3	30-FL-3497	1	3" Vacuum relief valve
4	30-SS-FL-3530	1	3" NPT threaded nipple, 304 Stainless Steel
5	94456	1	Tee 4" Dia. x 3" FNPT
6	MA-402-ZS	1	4" Dia. NPT to 4" O.D. adapter
7	P-AE-2530	1	Vacuum gauge
8	30-CS-FL-3503	1	3" Intake silencer with wire mesh element*

\* Replacement Spare Part Number 30-RF-FL-3603





L-11-MS VACUUM  
PERFORMANCE



Curves refer to air at 68°F temperature and 29.92 In Hg atmospheric pressure (abs) measured at inlet port. Values for flow, power consumption and temperature rise: +/-10% tolerance. Data subject to change without notice.