



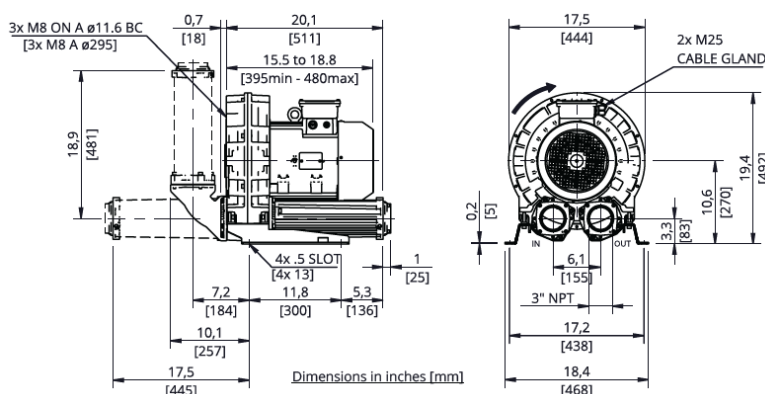
# LL07-MS-10 VACUUM PACKAGE

## L Series Regenerative Vacuum



### Model L07-MS Standard Features

- Premium Efficient Motor
- High efficiency impeller
- Mount in any position
- Maintenance free operation
- TEFC (IP55) Motor



### Technical Specifications

Model No.	HP	Hz	Open Flow (cfm)	Max Vacuum in. H <sub>2</sub> O	Efficiency	Voltage	FLA	Starting Current Ratio <sup>1</sup>	dB(A) <sup>2</sup>	Weight (lb)
<b>L 07-MS-4-3</b>	4	60	307	40	88.5%	208-230/460	10.9-11.1/5.53	11.1	75	130.1
		50	254	60	87.1%	200/400	12.86/6.38		71	
<b>L 07-MS-5.5-3</b>	5.5	60	307	70	88.5%	208-230/460	14.6-15.1/7.55	11.1	75	132.3
		50	254	100	88.1%	200/400	17.7/8.86		71	
<b>L 07-MS-7.5-3</b>	7.5	60	304	110	89.5%	208-230/460	19.8-19.5/9.75	13.7	75	174.2
		50	254	110	89.2%	200/400	22.2/11.1		71	
<b>L 07-MS-10-3</b>	10	60	307	140	90.2%	208-230/460	26.1-25/12.5	13	75	185.2
		50	254	-	90.1%	200/400	28.6/14.3		71	

Motors include normally closed thermal protector, 1.15 S.F. (60 Hz), tropicalized windings, Class F (B) insulation, and are suitable for use with a VFD (Contact Legends for pneumatic and speed limits when used with a VFD).

<sup>1</sup>Starting current ratio x fla = starting current

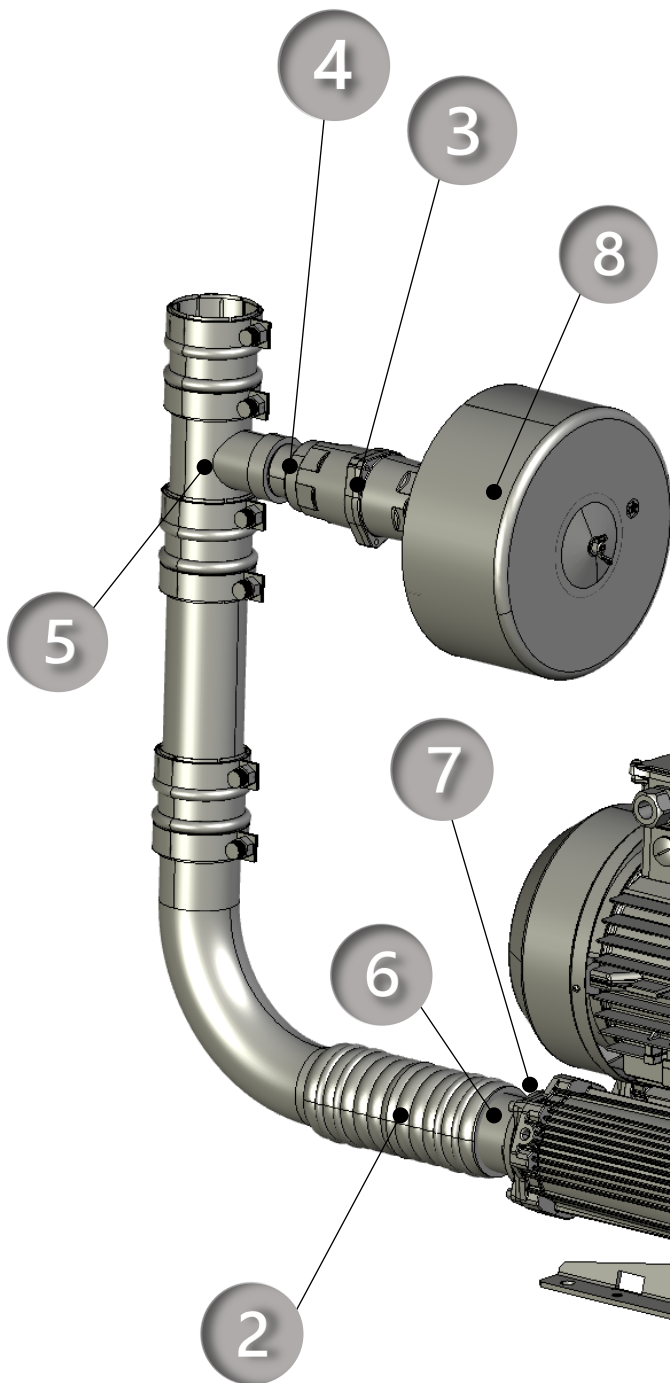
<sup>2</sup>Noise level measured at a distance of 1 m with inlet and outlet ports piped in accordance to ISO 3744

Data is subject to change without notice.





## STANDARD PACKAGE COMPONENTS



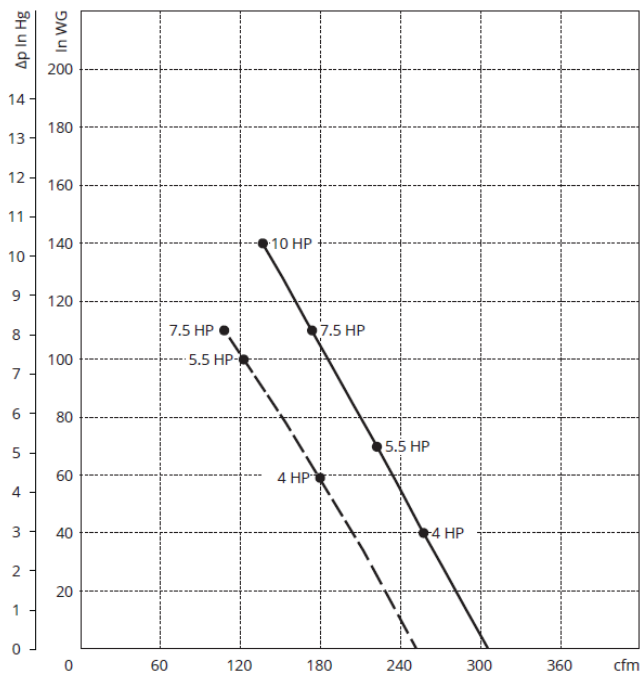
	PART #	QTY	DESCRIPTION
1	L07-MS-10	1	10 Horsepower Regenerative vacuum unit. 230/460/3/60 TEFC* * Motor size varies with model
2	30-HO-4111	1	3" Dia. x 8" long flex connection
	30-Z-AC-4030	2	3" Dia. hose clamp. Spiral power
3	20-FL-3495	1	2" Vacuum relief valve
4	20-SS-FL-3520	1	2" NPT threaded nipple, 304 Stainless Steel
5	AT-302-ZS	1	Tee 3" Dia. x 2" FNPT
6	MA-302-ZS	1	3" Dia. NPT to 3" O.D. adapter
7	P-AE-2530	1	Vacuum gauge
8	20-CS-FL-3500	1	2" Intake silencer with wire mesh element*

\* Replacement Spare Part Number RF-3501

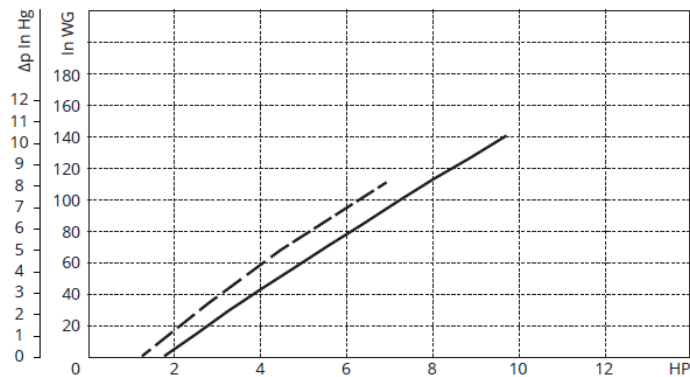


L-07-MS VACUUM  
PERFORMANCE

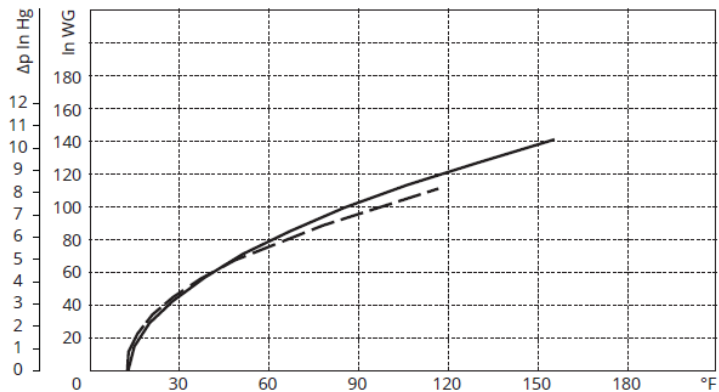
CAPACITY



ABSORBED POWER



TEMP INCREASE



**KEY**  
 --- 50 Hz  
 — 60 Hz

Curves refer to air at 68°F temperature and 29.92 In Hg atmospheric pressure (abs) measured at inlet port. Values for flow, power consumption and temperature rise: +/-10% tolerance. Data subject to change without notice.